

Stalk R Datasheet



Performance

Lumen Output	Wattage	lm/cW
1291 lm	15.3 W	84.4 lm/cW
1844 lm	22.0 W	83.8 lm/cW

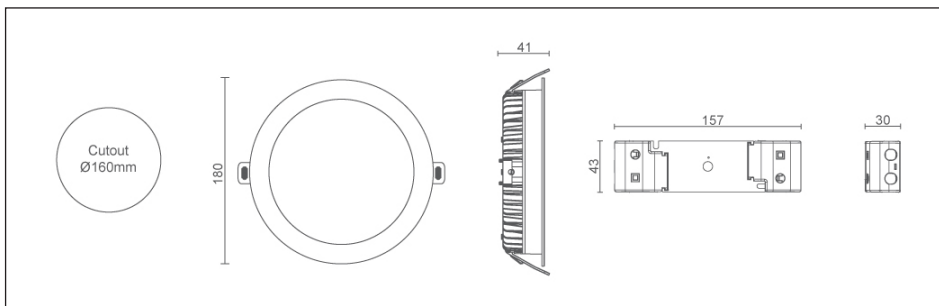
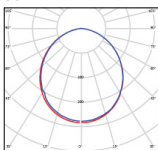
Rated Supply Voltage	220 – 240 V
AC Voltage Range	198 – 264 V
Mains Frequency	50/60 Hz
Output LF current ripple @ 120Hz (Flicker)	<5%
Overvoltage Protection	320 V
In-rush Current	14 A
THD	<10%
Dimming Range	15 – 100%
Operating Temperature	-25. ±60 °C
Colour Rendering	Ra>82
IP Rating	IP54
Cutout	Ø160mm
Dimensions	Ø180 x 41mm
Weight	1.8kg
Warranty	5 Years
Certification	CE, ROHS

Emergency

Standard Lumen Output	BLF	Emergency Lumen Output
1291 lm	17%	219 lm
1844 lm	13%	240 lm

Emergency Duration	3 Hours
Recharge Period	24 Hours
Battery Type	LiFePO4 (Lithium Iron Phosphate)
Battery Pack	3 x 3.2V 1.5Ah
Parasitic Load	1.2W
Operating Temperature	0 – 60°C
Power Efficiency	95%
Certification	CE, ROHS

90°



BumbleBee

Stalk R Datasheet



Order Codes

Stalk R		STK.R
Lumen Output	1290lm	-1290
	1840lm	-1840
Colour Temperature	3000K	-3K
	4000K	-4K
	5000K	-5K
Beam Angle	90° Beam	-90

Extras

Type	Options	Code
Dimming	1-10V Dimming	+110V
	DALI Dimming	+DALI
Emergency	3 Hour Facility	+EM
	3 Hour Self Test	+EMST
	3 Hour Central Test	+EMCT