

# Burst Datasheet



## Performance

Lumen Output	Wattage	lm/cW
2197 lm	19.8 W	111.0 lm/cW
1648 lm	14.9 W	110.6 lm/cW

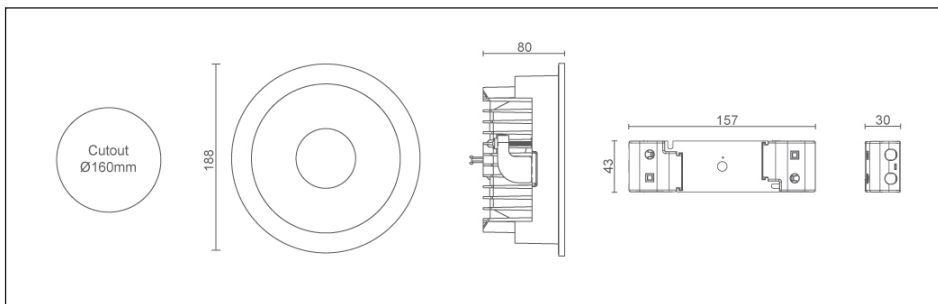
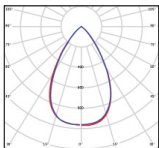
Rated Supply Voltage	220 – 240 V
AC Voltage Range	198 – 264 V
Mains Frequency	50/60 Hz
Output LF current ripple @ 120Hz (Flicker)	<5%
Overvoltage Protection	320 V
In-rush Current	1.2 A
THD	<10%
Dimming Range	15 – 100%
Operating Temperature	-25. ±60 °C
Colour Rendering	Ra>82
UGR	<16
Cutout	Ø160mm
Dimensions	Ø188 x 80mm
Weight	2.7kg
Warranty	5 Years
Certification	CE, ROHS

## Emergency

Standard Lumen Output	BLF	Emergency Lumen Output
2197 lm	17%	373 lm
1648 lm	13%	363 lm

Emergency Duration	3 Hours
Recharge Period	24 Hours
Battery Type	LiFePO4 (Lithium Iron Phosphate)
Battery Pack	3 x 3.2V 1.5Ah
Parasitic Load	1.2W
Operating Temperature	0 – 60°C
Power Efficiency	95%
Certification	CE, ROHS

60°



**BumbleBee**

Tel: 01489 878 406 Email: [info@bumblebee-lighting.co.uk](mailto:info@bumblebee-lighting.co.uk) Web: [bumblebee-lighting.co.uk](http://bumblebee-lighting.co.uk)  
 BumbleBee, Unit 11, Lycroft Business Park, Park Lane, Upper Swanmore, Southampton, SO32 2QQ