

Burst M Datasheet



Performance

Lumen Output	Wattage	lm/cW
776 lm	8.0 W	97.0 lm/cW
958 lm	10.1 W	94.9 lm/cW

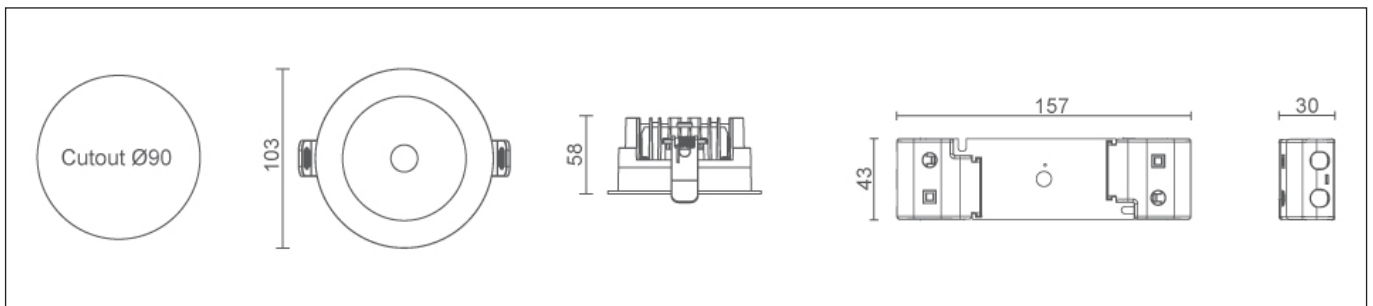
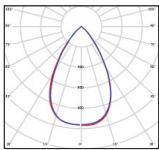
Rated Supply Voltage	220 – 240 V
AC Voltage Range	198 – 264 V
Mains Frequency	50/60 Hz
Output LF current ripple @ 120Hz (Flicker)	<5%
Overvoltage Protection	320 V
In-rush Current	0.7 A
THD	<10%
Dimming Range	15 – 100%
Operating Temperature	-25. ±60 °C
Colour Rendering	Ra>82
UGR	<16
Cutout	Ø90mm
Dimensions	Ø103 x 58mm
Weight	1.8kg
Warranty	5 Years
Certification	CE, ROHS

Emergency

Standard Lumen Output	BLF	Emergency Lumen Output
776 lm	29%	225 lm
958 lm	24%	230 lm

Emergency Duration	3 Hours
Recharge Period	24 Hours
Battery Type	LiFePO4 (Lithium Iron Phosphate)
Battery Pack	3 x 3.2V 1.5Ah
Parasitic Load	1.2W
Operating Temperature	0 – 60°C
Power Efficiency	95%
Certification	CE, ROHS

60°



BumbleBee

Tel: 01489 878 406 Email: info@bumblebee-lighting.co.uk Web: bumblebee-lighting.co.uk
 BumbleBee, Unit 11, Lycroft Business Park, Park Lane, Upper Swanmore, Southampton, SO32 2QQ