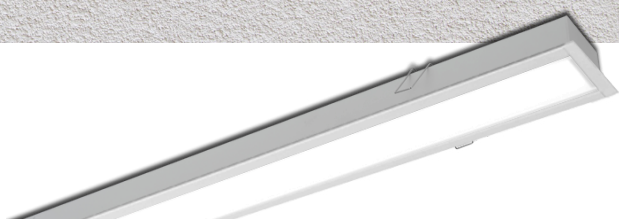


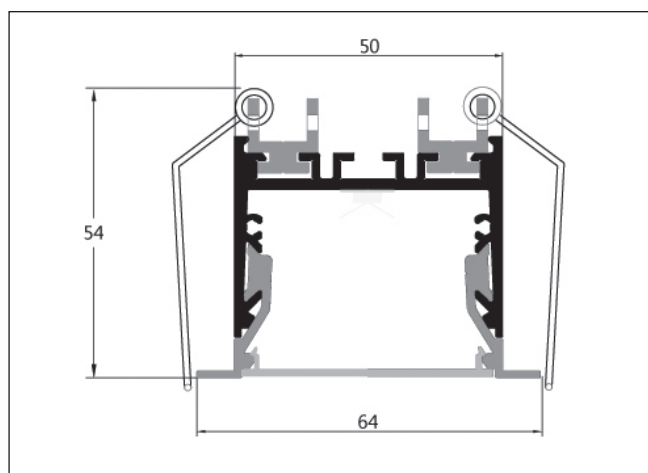
Annam Datasheet



Performance

Typical Lumen Outputs	Wattage	lm/cW
LED Tape – 2160lm/m	23.8 W/m	90.8 lm/cW
LED Board – 2620lm/m	24.3 W/m	107.8 lm/cW

Rated Supply Voltage	220 – 240 V
AC Voltage Range	202 – 250 V
Mains Frequency	50/60 Hz
Output LF current ripple @ 120Hz (Flicker)	<10%
Overvoltage Protection	320 V
THD	<20%
Dimming Range	1 - 100%
Operating Temperature	-25 +60 °C
Longevity	50,000 hours
Typical UGR Rating	<19
Colour Rendering	Ra>82
Section Dimensions	*See Below
Weight	3.5kg/m
Warranty	5 Years
Certification	CE, ROHS



BumbleBee

Tel: 01489 878 406 Email: info@bumblebee-lighting.co.uk Web: bumblebee-lighting.co.uk
BumbleBee, Unit 11, Lycroft Business Park, Park Lane, Upper Swanmore, Southampton, SO32 2QQ