

Ovis



Performance

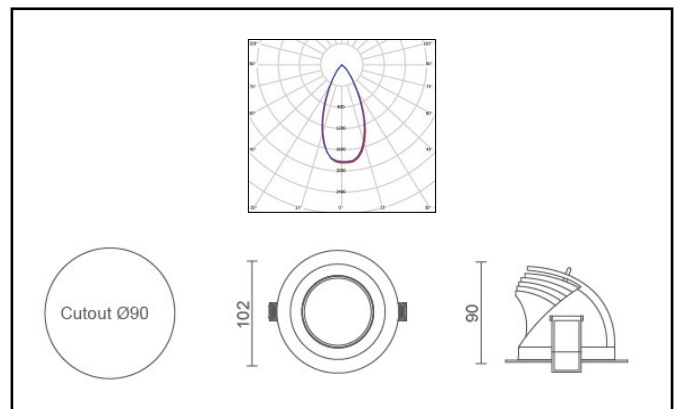
| Lumen Output | Wattage | lm/cW |
|----------------|---------|-------|
| 1050lm (4000K) | 9.6 W | 109.4 |
| 1550lm (4000K) | 14.4 W | 111.9 |

| | |
|----------------------------------|--------------|
| Rated Supply Voltage | 220–240 V |
| AC Voltage Range | 198–264 V |
| Mains Frequency | 50/60 Hz |
| Output LF Current Ripple @ 120Hz | <1% |
| Overvoltage Protection | 320 V |
| In-rush Current | 12 A |
| THD | <5% |
| Dimming Type (Optional) | DALI |
| Operating Temperature | -25 +60 °C |
| Longevity (L70/B10) | 60,000 hours |
| Colour Rendering (3 SDCM) | Ra>82 |
| IP Rating | IP20 |
| Cutout | Ø90mm |
| Dimensions | Ø102 x 90mm |
| Tilt Angle | 0–90° |
| Rotation Angle | 0–350° |
| Weight | 1.7 kg |
| Warranty | 5 Years |
| Certification | CE, ROHS |

Emergency (Optional)

| BLF | Lumen Output |
|-----|--------------|
| 30% | 315lm |
| 20% | 314lm |

| | |
|-----------------------|----------------------------------|
| Emergency Duration | 3 Hours |
| Recharge Period | 24 Hours |
| Battery Type | LiFePO4 (Lithium Iron Phosphate) |
| Battery Pack | 3 x 3.2V 1.5Ah |
| Parasitic Load | 1.2W |
| Operating Temperature | 0–60 °C |
| Power Efficiency | 95% |
| Certification | CE, ROHS |



Tel: 01489 878 406 Email: Info@bumblebee-lighting.co.uk Web: bumblebee-lighting.co.uk

Bumblebee, Unit 16 Business Park, Park Lane, Upper Swanmore, Southampton, SO32 2QQ Company No: 10464972 VAT No: 254 3859 81

BumbleBee

