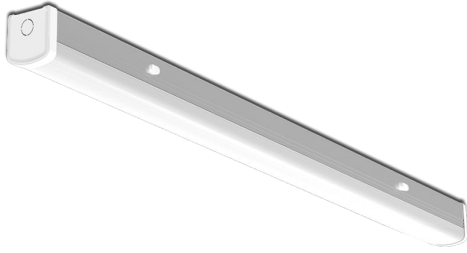


LED Batten



Performance

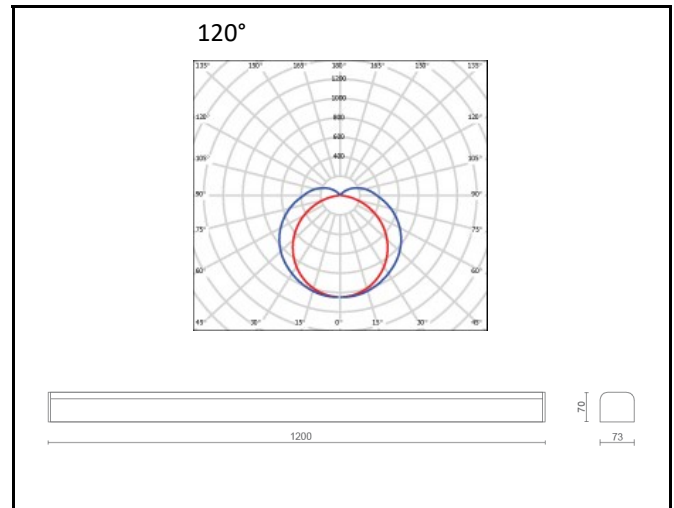
Lumen Output	Wattage	lm/cW
4,200lm (4000K)	36.4 W	115.4

Rated Supply Voltage	220—240 V
AC Voltage Range	198—264 V
Mains Frequency	50/60 Hz
Output LF Current Ripple @ 120Hz	<5%
Overvoltage Protection	320 V
In-rush Current	12 A
THD	<5%
Operating Temperature	-25 +60 °C
UGR Rating	<22
Colour Rendering	Ra>82
Longevity (L70/B10)	60,000 hours
IP Rating	IP44
Dimensions	73 x 70 x 1200 mm
Weight	4.1 kg
Warranty	5 Years
Certification	CE, ROHS

Emergency (Optional)

BLF	Lumen Output
10%	420lm

Emergency Duration	3 Hours
Recharge Period	24 Hours
Battery Type	LiFePO4 (Lithium Iron Phosphate)
Battery Pack	3 x 3.2V 1.5Ah
Parasitic Load	1.2W
Operating Temperature	0—60 °C
Power Efficiency	95%
Certification	CE, ROHS



Tel: 01489 878 406 Email: Info@bumblebee-lighting.co.uk Web: bumblebee-lighting.co.uk

Bumblebee, Unit 16 Business Park, Park Lane, Upper Swanmore, Southampton, SO32 2QQ Company No: 10464972 VAT No: 254 3859 81

BumbleBee

