

# Sting Mini



## Performance

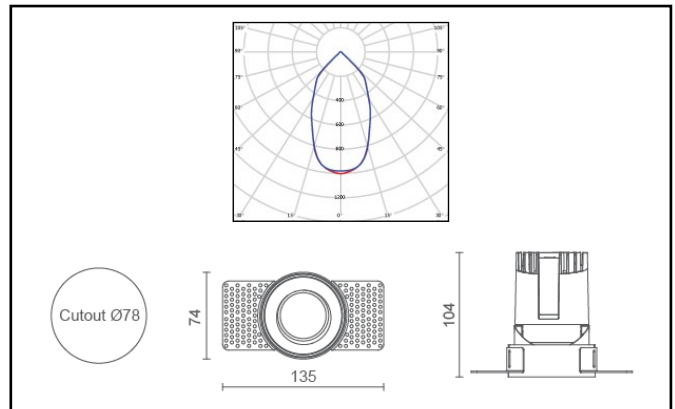
Lumen Output	Wattage	lm/cW
824lm (4000K)	7.8 W	105.6
1031lm (4000K)	9.6 W	107.4

Rated Supply Voltage	220–240 V
AC Voltage Range	198–264 V
Mains Frequency	50/60 Hz
Output LF Current Ripple @ 120Hz	<1%
Overvoltage Protection	320 V
In-rush Current	12 A
THD	<10%
Dimming Type (Optional)	DALI
Operating Temperature	-25 +60 °C
Longevity (L80/B10)	60,000 hours
Colour Rendering	Ra>82
IP Rating	IP20
Cutout	Ø78mm
Dimensions	Ø74 x 104mm
Weight	1.1 kg
Warranty	5 Years
Certification	CE, ROHS

## Emergency (Optional)

BLF	Lumen Output
27%	222lm
22%	227lm

Emergency Duration	3 Hours
Recharge Period	24 Hours
Battery Type	LiFePO4 (Lithium Iron Phosphate)
Battery Pack	3 x 3.2V 1.5Ah
Parasitic Load	1.2W
Operating Temperature	0–60 °C
Power Efficiency	95%
Certification	CE, ROHS



Tel: 01489 878 406 Email: [Info@bumblebee-lighting.co.uk](mailto:Info@bumblebee-lighting.co.uk) Web: [bumblebee-lighting.co.uk](http://bumblebee-lighting.co.uk)

Bumblebee, Unit 16 Business Park, Park Lane, Upper Swanmore, Southampton, SO32 2QQ Company No: 10464972 VAT No: 254 3859 81

**BumbleBee**

