

Sting



Performance

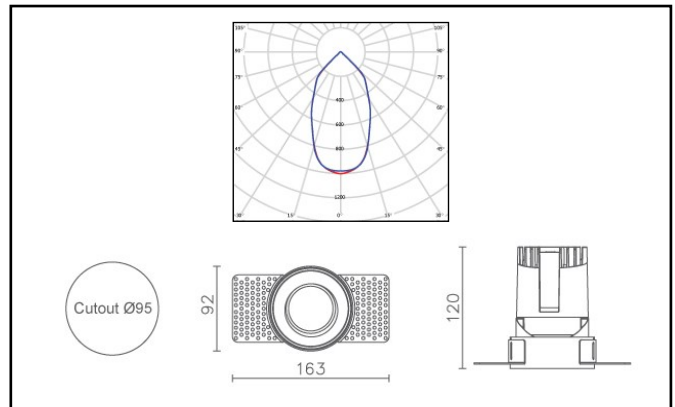
Lumen Output	Wattage	lm/cW
1554lm (4000K)	14.6 W	106.4
2063lm (4000K)	19.6 W	105.3

Rated Supply Voltage	220–240 V
AC Voltage Range	198–264 V
Mains Frequency	50/60 Hz
Output LF Current Ripple @ 120Hz	<1%
Overvoltage Protection	320 V
In-rush Current	12 A
THD	<10%
Dimming Type (Optional)	DALI
Operating Temperature	-25... +60 °C
Longevity (L70/B10)	60,000 hours
Colour Rendering	Ra>82
IP Rating	IP20
Cutout	Ø95mm
Dimensions	Ø92 x 120mm
Weight	2.1 kg
Warranty	5 Years
Certification	CE, ROHS

Emergency (Optional)

BLF	Lumen Output
18%	280lm
14%	289lm

Emergency Duration	3 Hours
Recharge Period	24 Hours
Battery Type	LiFePO4 (Lithium Iron Phosphate)
Battery Pack	3 x 3.2V 1.5Ah
Parasitic Load	1.2W
Operating Temperature	0–60 °C
Power Efficiency	95%
Certification	CE, ROHS



Tel: 01489 878 406 Email: Info@bumblebee-lighting.co.uk Web: bumblebee-lighting.co.uk

Bumblebee, Unit 16 Business Park, Park Lane, Upper Swanmore, Southampton, SO32 2QQ Company No: 10464972 VAT No: 254 3859 81

BumbleBee

