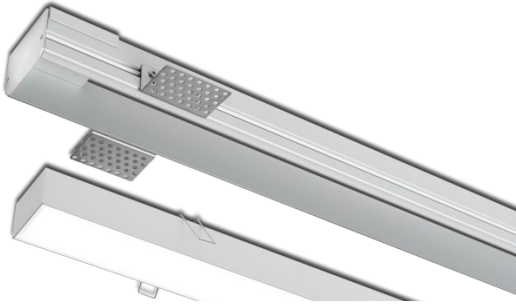


Angu



Standalone Length (mm)	Start/End Length (mm)	Middle Length (mm)	Lumen Outputs (lm)	Wattage (W)	Performance (lm/cW)
568	564	560	1640	13.2	124.24
638	634	630	1840	14.9	123.49
708	704	700	2040	16.5	123.64
778	774	770	2250	18.2	123.63
848	844	840	2450	19.8	123.74
918	914	910	2650	21.5	123.26
988	984	980	2860	23.1	123.81
1058	1054	1050	3060	26.4	123.86
1128	1124	1120	3270	28.1	123.49
1198	1194	1190	3470	29.7	123.57
1268	1264	1260	3670	31.4	123.57
1338	1334	1330	3880	33	123.64
1408	1404	1400	4080	34.7	123.63
1478	1474	1470	4290	36.3	123.69
1548	1544	1540	4490	38	123.42
1618	1614	1610	4690	39.6	123.74
1688	1684	1680	4900	38	123.6
1758	1754	1750	5100	41.3	123.49
1828	1824	1820	5310	42.9	123.78
1898	1894	1890	5510	44.6	123.54
1968	1964	1960	5710	46.2	123.59
2038	2034	2030	5920	47.9	123.59
2108	2104	2100	6120	49.5	123.64
2178	2174	2170	6320	51.2	123.44
2248	2244	2240	6530	52.8	123.67

**Special lengths available upon request.*

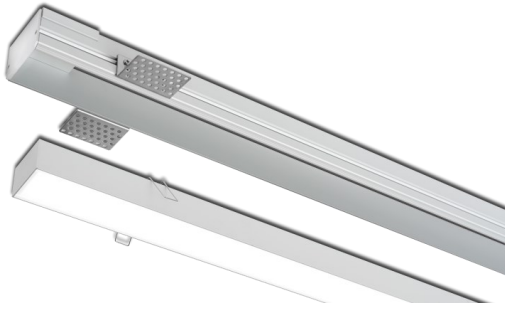
Tel: 01489 878 406 Email: Info@bumblebee-lighting.co.uk Web: bumblebee-lighting.co.uk

Bumblebee, Unit 16 Business Park, Park Lane, Upper Swanmore, Southampton, SO32 2QQ Company No: 10464972 VAT No: 254 3859 81

BumbleBee



Angu



Performance

Diffuser	Frosted Microprism (Optional)
Rated Supply Voltage	220–240 V
AC Voltage Range	202–250 V
Mains Frequency	50/60 Hz
Output LF Current Ripple @ 120Hz	<1%
Overtoltage Protection	320 V
In-rush Current	12 A
THD	<20%
Dimming Type (Optional)	DALI
Dimming Range	1–100%
Operating Temperature	-25... +60 °C
Colour Rendering (3 SDCM)	Ra>82
Longevity (L70/B10)	70,000 hours
Glare Rating	<19
Dimensions	50 x 75 mm
Weight	3.8 kg/m
Warranty	5 Years
Certification	CE, ROHS

Emergency (Optional)

Emergency Duration	3 Hours
Recharge Period	24 Hours
Battery Type	LiFePO4 (Lithium Iron Phosphate)
Battery Pack	3 x 3.2V 1.5Ah
Parasitic Load	1.2W
Operating Temperature	0–60 °C
Power Efficiency	95%
Certification	CE, ROHS

